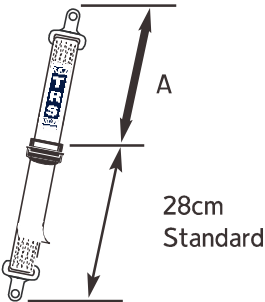
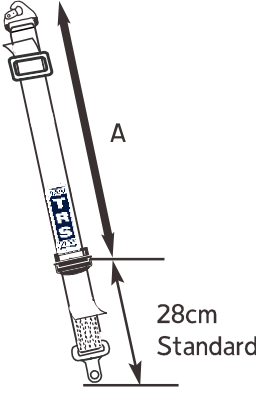
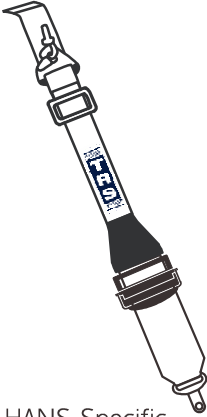

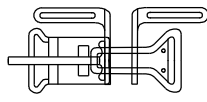
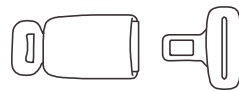




Harness Specification Sheet

£20 charge applies for all bespoke harnesses

Date:		Internal use					
Dealer Name:		Code: <input type="text"/>					
Customer Name:		Description:					
Contact No. in case of query (Daytime):							
Email address:							
F.I.A Approved <input type="checkbox"/>		SFI Approved <input type="checkbox"/>		E Approved <input type="checkbox"/>			
Number of Harnesses Required:			Measurements in: <input type="checkbox"/> mm				
Colour: <input type="checkbox"/> Red <input type="checkbox"/> Blue <input type="checkbox"/> Black <input type="checkbox"/> Yellow <input type="checkbox"/> Green <input type="checkbox"/> Orange <input type="checkbox"/> Silver							
Make of Vehicle:		Type:		Year:			

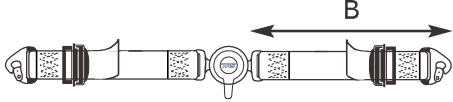
 <p>Single Seater Type <input type="checkbox"/></p> <p>Two Seat kit Car <input type="checkbox"/></p>	 <p>Saloon Type <input type="checkbox"/></p>	 <p>HANS Specific 50mm Shoulder <input type="checkbox"/></p>	 <p>Rotary (Aircraft) Buckle <input type="checkbox"/></p>  <p>Lever Latch & Link <input type="checkbox"/></p>  <p>Push Button <input type="checkbox"/></p>
---	--	--	---

Shoulder Straps - measurements should be taken with driver seated in vehicle with harness fastened tight

Webbing Width: 75mm 50mm

Length: (Measure distance "A" from centre of anchor mounting point to centre of adjuster)

Lap Straps - measurements should be taken with harness fastened tight and adjustment in midway position



Webbing Width: 75mm 50mm

Length: (Measure distance "B" from centre of anchor mounting to centre of release buckle)

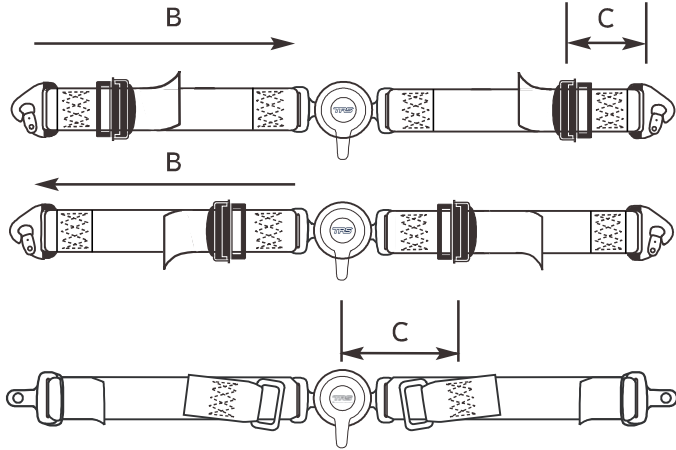
"B" is 55cm as standard

Direction of Lap Strap Adjustment

Pull Up

Pull Down

Single Seater Pinch Plates



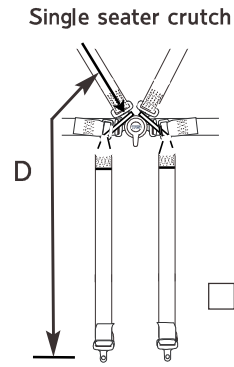
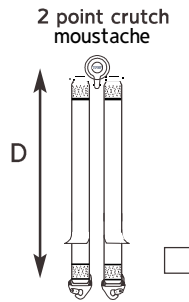
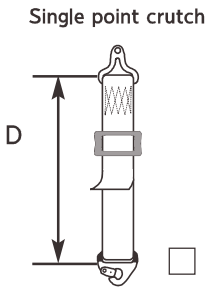
"B" is 55cm as standard

"C" is 12cm as standard

Length C: Standard length of 'C' Pull Up or Pull Down is 12cm from centre of mounting point to centre of adjuster

Crotch Strap - Measurements should be taken with driver seated in vehicle

“D”
is 65cm as
standard



Length D: (Measure Distance “D”)

Rotary Buckle Permanently Fixed To:

Right Hand Lap Strap
(Std for single seater or 4pt saloon)
M10-0001



Left Hand Lap Strap
M10-0002

Crotch Strap **M10-0003**
(Std for 5pt/6pt saloon)

Anchorage (Mark appropriate box to identify requirement)

Snap Hook	Bolt Fixing Type A	Wrap Around	Flat sewn loop	Pinched Becket	Bolt Fixing Type B	Pinch Plates	Open End	Carabina	
 M30-0002B	 Please state hole diameter: 8 mm M20-0004 or 9.5 mm M20-0003	 If using this type of mounting provision must be made to prevent lateral movement	 Please state loop diameter in CM 4cm standard	 Please state loop diameter in CM 4cm standard	 Please state hole diameter: 11 mm (7/16 inch) M30-001B 13 mm (1/2 inch) M30-0010	 Please state hole diameter: 8 mm M20-0004 or 9.5 mm M20-0080		 M30-0020	
									Shoulder Straps
									Lap Straps
									Crotch Straps

Adjuster Types & Extras (Mark appropriate box)

3 Bar Locker	Standard 50mm Adjuster	75mm Steel Adjuster	75mm Aluminium Alloy Adjuster	50mm Aluminium Alloy Adjuster	Velcro Shoulder Straps	HANS Specific 50mm Shoulder	
 75mm M20-0060B 50mm M20-0065B	 M20-0050B	 M20-0037B	 M20-0040	 M20-0049		 M30-0108	
							Shoulder Straps
							Lap Straps
							Crotch Straps

TRS Technical Tip

Use Alloy Adjusters for fast and easy adjustment

TRS Technical Tip

Will a “STANDARD” harness fit. Check the size chart to avoid the extra charge

Notes: